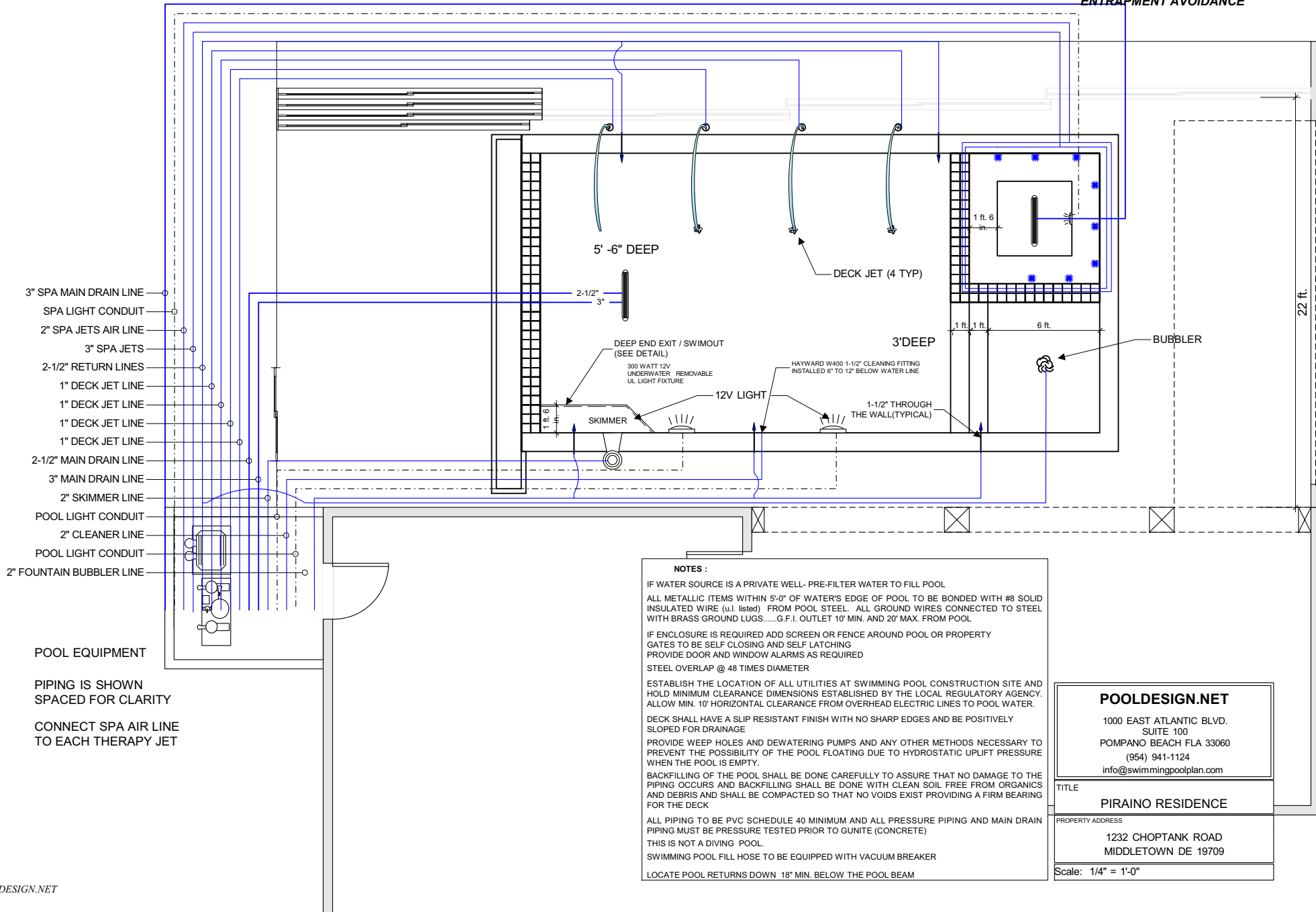


POOLDESIGN.NET	
1000 EAST ATLANTIC BLVD. SUITE 100 POMPANO BEACH FLA 33060 (954) 941-1124 info@swimmingpoolplan.com	
TITLE	PIRAINO RESIDENCE
PROPERTY ADDRESS	1232 CHOPTANK ROAD MIDDLETOWN DE 19709
Scale: 1/4" = 1'-0"	

DESIGN PER ANSI/ APSP - 7 2006
INCLUDING BUT NOT LIMITED TO SUCTION
ENTRAPMENT AVOIDANCE



- 3" SPA MAIN DRAIN LINE
- SPA LIGHT CONDUIT
- 2" SPA JETS AIR LINE
- 3" SPA JETS
- 2-1/2" RETURN LINES
- 1" DECK JET LINE
- 1" DECK JET LINE
- 1" DECK JET LINE
- 1" DECK JET LINE
- 2-1/2" MAIN DRAIN LINE
- 3" MAIN DRAIN LINE
- 2" SKIMMER LINE
- POOL LIGHT CONDUIT
- 2" CLEANER LINE
- POOL LIGHT CONDUIT
- 2" FOUNTAIN BUBBLER LINE

POOL EQUIPMENT

PIPING IS SHOWN
SPACED FOR CLARITY

CONNECT SPA AIR LINE
TO EACH THERAPY JET

NOTES :

IF WATER SOURCE IS A PRIVATE WELL- PRE-FILTER WATER TO FILL POOL
ALL METALLIC ITEMS WITHIN 5'-0" OF WATER'S EDGE OF POOL TO BE BONDED WITH #8 SOLID INSULATED WIRE (u.l. listed) FROM POOL STEEL. ALL GROUND WIRES CONNECTED TO STEEL WITH BRASS GROUND LUGS.....G.F.I. OUTLET 10' MIN. AND 20' MAX. FROM POOL

IF ENCLOSURE IS REQUIRED ADD SCREEN OR FENCE AROUND POOL OR PROPERTY GATES TO BE SELF CLOSING AND SELF LATCHING PROVIDE DOOR AND WINDOW ALARMS AS REQUIRED STEEL OVERLAP @ 48 TIMES DIAMETER

ESTABLISH THE LOCATION OF ALL UTILITIES AT SWIMMING POOL CONSTRUCTION SITE AND HOLD MINIMUM CLEARANCE DIMENSIONS ESTABLISHED BY THE LOCAL REGULATORY AGENCY. ALLOW MIN. 10' HORIZONTAL CLEARANCE FROM OVERHEAD ELECTRIC LINES TO POOL WATER.

DECK SHALL HAVE A SLIP RESISTANT FINISH WITH NO SHARP EDGES AND BE POSITIVELY SLOPED FOR DRAINAGE

PROVIDE WEEP HOLES AND DEWATERING PUMPS AND ANY OTHER METHODS NECESSARY TO PREVENT THE POSSIBILITY OF THE POOL FLOATING DUE TO HYDROSTATIC UPLIFT PRESSURE WHEN THE POOL IS EMPTY.

BACKFILLING OF THE POOL SHALL BE DONE CAREFULLY TO ASSURE THAT NO DAMAGE TO THE PIPING OCCURS AND BACKFILLING SHALL BE DONE WITH CLEAN SOIL FREE FROM ORGANICS AND DEBRIS AND SHALL BE COMPACTED SO THAT NO VOIDS EXIST PROVIDING A FIRM BEARING FOR THE DECK

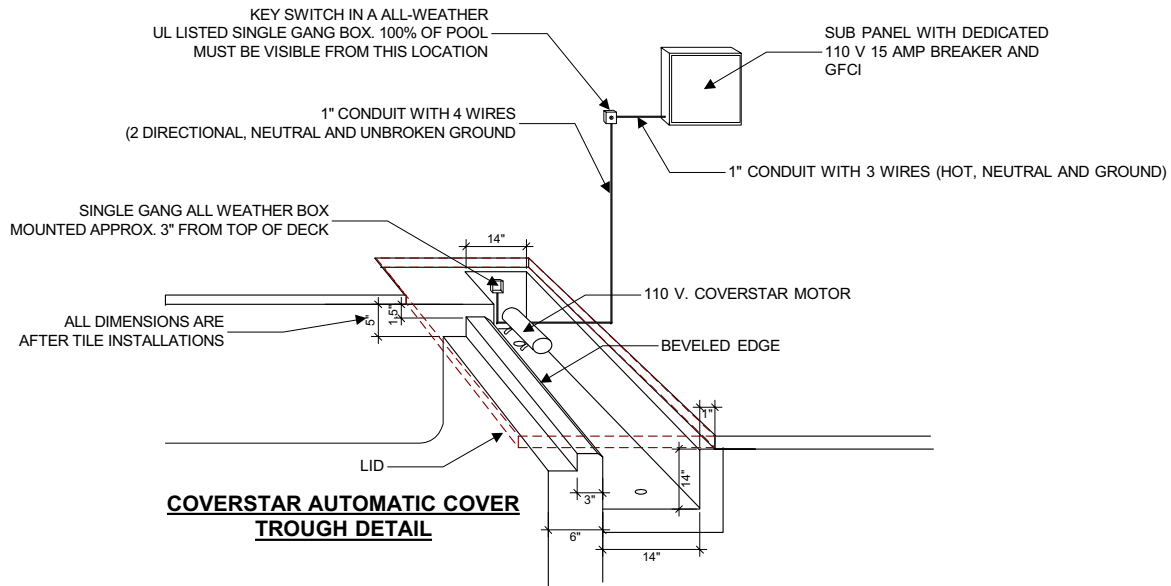
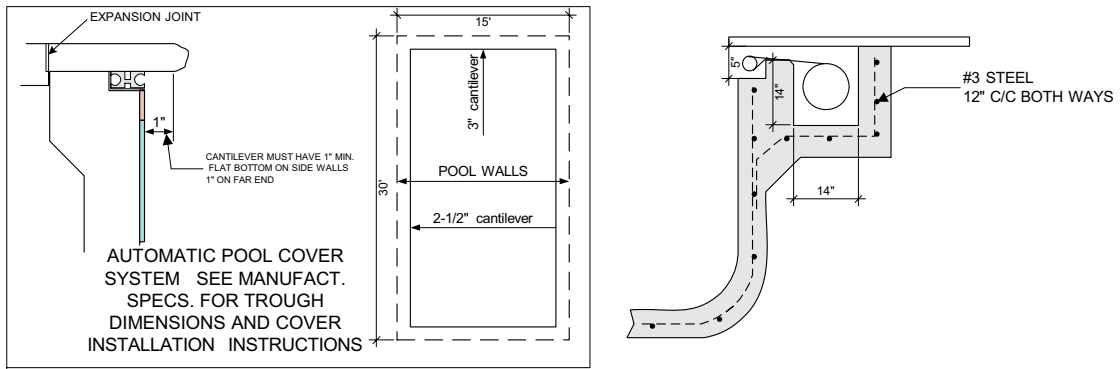
ALL PIPING TO BE PVC SCHEDULE 40 MINIMUM AND ALL PRESSURE PIPING AND MAIN DRAIN PIPING MUST BE PRESSURE TESTED PRIOR TO GUNITE (CONCRETE)
THIS IS NOT A DIVING POOL.
SWIMMING POOL FILL HOSE TO BE EQUIPPED WITH VACUUM BREAKER
LOCATE POOL RETURNS DOWN 18" MIN. BELOW THE POOL BEAM

POOLDESIGN.NET
1000 EAST ATLANTIC BLVD.
SUITE 100
POMPANO BEACH FLA 33060
(954) 941-1124
info@swimmingpoolplan.com

TITLE
PIRAINO RESIDENCE

PROPERTY ADDRESS
1232 CHOPTANK ROAD
MIDDLETOWN DE 19709

Scale: 1/4" = 1'-0"



POOLDESIGN.NET	
1000 EAST ATLANTIC BLVD. SUITE 100 POMPANO BEACH FLA 33060 (954) 941-1124 info@swimmingpoolplan.com	
TITLE PIRANO RESIDENCE	
PROPERTY ADDRESS 1232 CHOPTANK ROAD MIDDLETOWN DE 19709	